

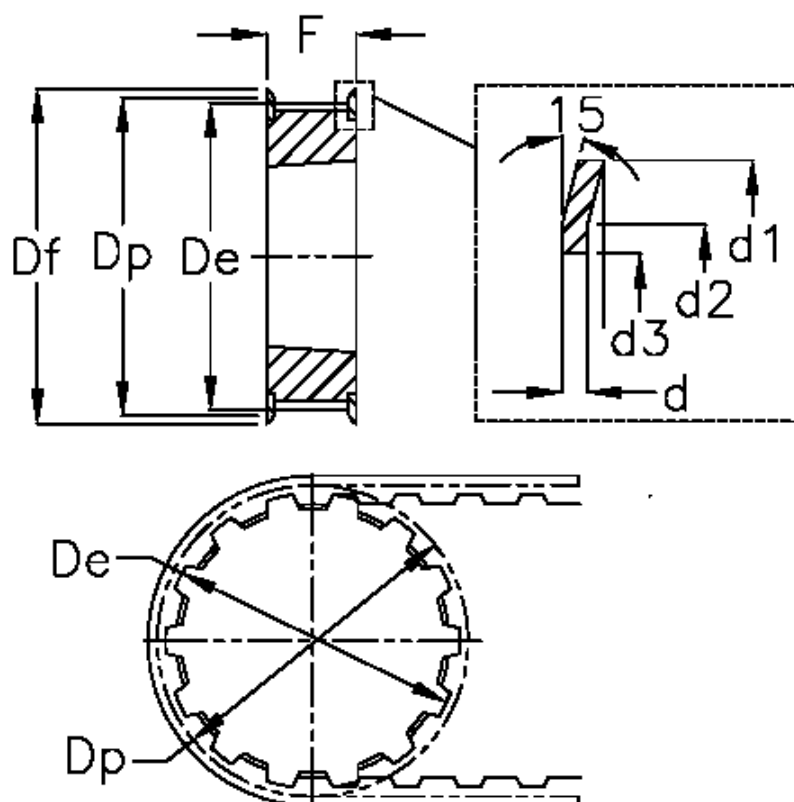
# Data Sheet



Article number: 604130036015

Description: Taper bored timing belt pulley  
HTD 36 5M 15 TL 1108

## Measures



|              |                    |
|--------------|--------------------|
| $d = 1$      | Flange type = F22  |
| $d1 = 60$    | For bushing = 1108 |
| $d2 = 57$    | Max bore = 25      |
| $d3 = 47$    | S = 22             |
| $De = 56.15$ | Tooth number = 36  |
| $Df = 60$    | Type = 5M          |
| $Dp = 57.3$  | Weight = -         |
| $F = 22$     | Width = 15         |